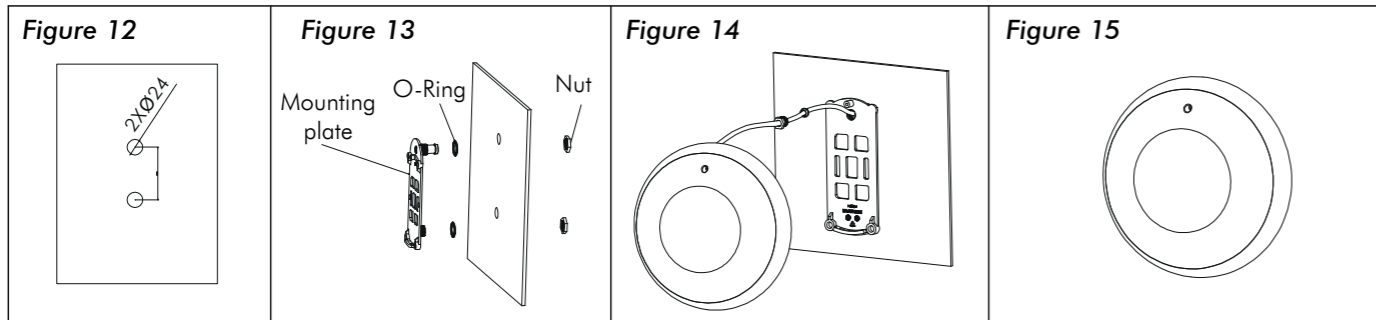


Fiberglass Pools / Vinyl Pools

- Make 2 holes on the pool wall (Figure 12).
- Place the O-rings between the Mounting Plate and the pool wall and tighten them with the Nut on the other side of the pool wall (Figure 13).
- Put the cable sequentially through the sealing Nut, the sealing O-ring and the cable hole on the mounting plate; then tighten the Nut (Figure 14).
- Wrap extra cables behind the light to make sure they could be taken out for future maintenance. Then, hang the light onto the Mounting Plate and tighten the screws (Figure 15).

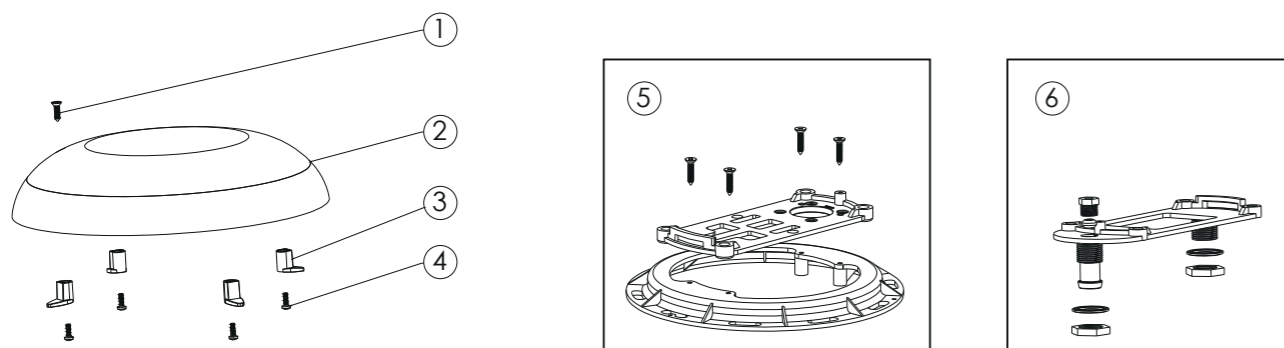


MAINTENANCE

- This light does not need any kind of maintenance. If it is not working properly, please contact the Emaux authorized dealer or your local pool professional.
- Do not leave the lights directly under sunlight. Fill the pool with fresh water as soon as possible after the lights are installed.
- Do not leave the light "on" above the water for longer than 1 minute.
- Before switching on the lights, check whether the lights are fully submerged underwater and the circuit boxes are running properly.
- The warranty will be voided if the this Underwater Light is dismantled by unauthorized personnel.

REPLACEMENT PARTS

N°	Code	Description	Quantity
1	03011334	M5x30 Screw	1
2	89045901	LED Panel (Cool White)	1
	89045902	LED Panel (RGB)	
	89045903	LED Panel (Warm White)	
	89045904	LED Panel (Single Blue)	
3	01050166	Cable clip	4
4	03011307	M4x12 Screw	4
5	89040203	Fittings for Concrete pool	1
6	89045517	Fittings for Fiberglass / Vinyl pool	1



www.emauxgroup.com

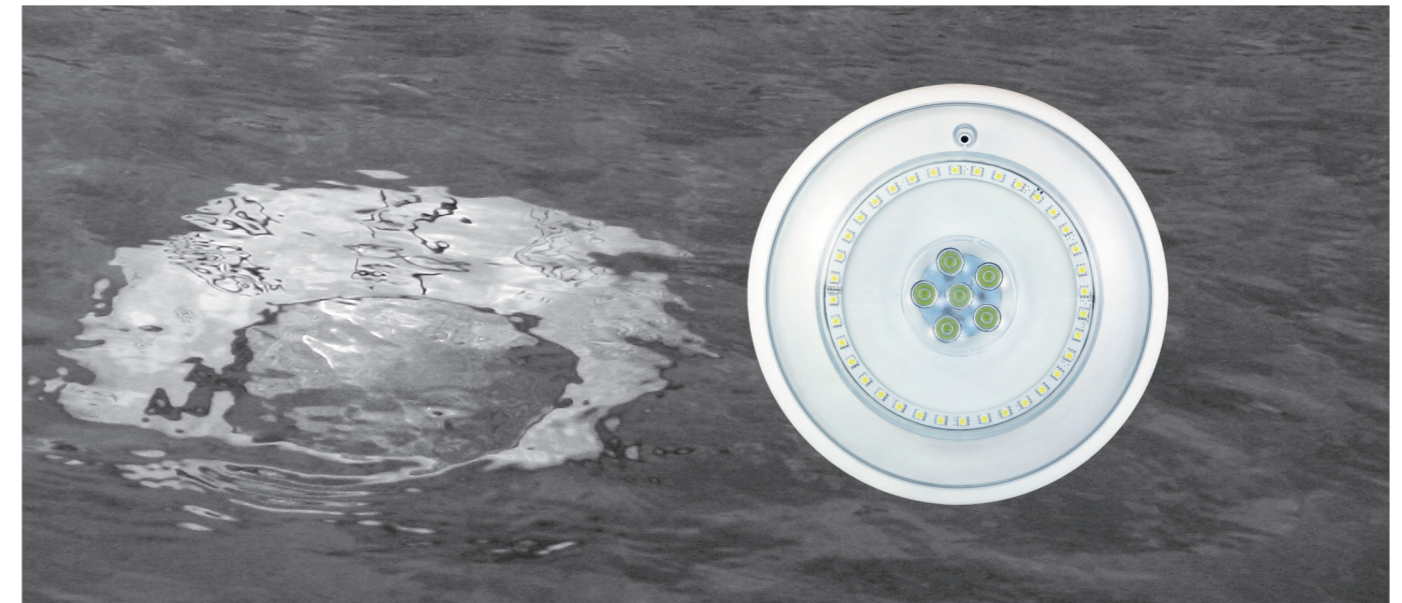
AURORA

High Power Underwater Led Light

USER MANUAL

Models: ARR30CW ARR30B ARR30C ARR30W

Keep this manual for future reference



SAFETY INSTRUCTIONS

- Only qualified electricians are allowed to carry out the installation of this product.
- Avoid direct contact with electrical power.
- Respect all regulations in effect for preventing accidents.
- All units must be disconnected from the main electricity supply before any operation of maintenance.
- Never handle the unit with wet hands and feet.
- This unit is designed to be used only when fully submerged in fresh water, connecting with a safety transformer.
- Never operate this underwater light for more than 1 minute unless it is totally submerged in the water.
- Make sure the power is off before installing or removing the LED plate. Allow the LED plate to cool before being replaced.
- This product should be installed according to your local electrical installation ordinances and regulations.
- The maximum depth at which the light can be installed is 1 meter.
- The water temperature range to operate the light is 0 - 30° C.
- The external flexible cable or cord of this luminaire cannot be replaced; if the cord is damaged, the luminaire shall be destroyed.
- The light bulb of this luminaire is not replaceable; when the light bulb reaches the end of its life, the whole lampe shall be replaced.

SPECIFICATIONS

Voltage	12 VAC
Frequency	50/60 Hz
Power	30 W

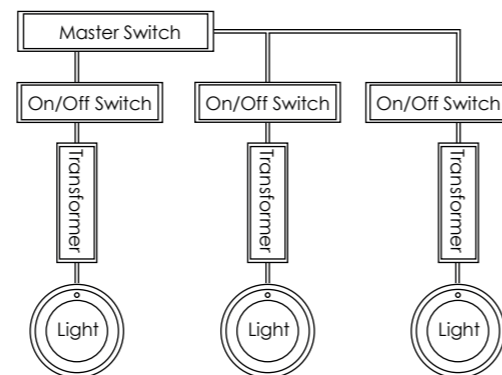
Colour change options (For RGB version only)

1	White	2	Green
3	Blue	4	Green + Blue
5	Red + Green	6	Red + Blue
7	Mode A: Blue + Gradual Red	8	Mode B: Green + Gradual Red
9	Mode C: Blue + Gradual Green	10	Mode D: Blue + Gradual Red
11	Mode E: Sequence Red>Green>Blue	12	Automatic Colour Change
13	Mode F: Sequence Red>Green>Blue>Purple	14	Fast Automatic Colour Change

CONTROL

- When the light is connected to the transformer directly, the on/off switch controls the colour changes. Associating a light with a transformer and an on/off switch is recommended; if you want all the lights to change colour at the same time, install a master switch (Figure 1).
- If applicable, when the light is connected to the transformer and the transformer to the optional control box, the control panel on the control box and its remote control will monitor the colour changes (see the Control Box Manual for details).

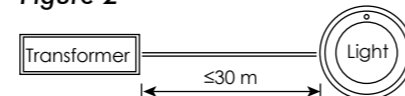
Figure 1



INSTALLATION NOTES

- The cable is 2.5m long. Please follow the installation procedures closely when installing the light.
- It is recommended to install a light every 20m², the approximate exposure area of each unit.
- The lights should be installed in the direction in which they will not shine directly into the house.
- For training or competition pools, the lights must be installed on the sides in order to prevent swimmers from seeing any glare.
- Nothing should be placed on the poolside directly above the lights to facilitate future maintenance.
- If the wires are connected inside the lights, the connections must be sealed with leak-proof tapes or products with the same function.
- The cables connecting the lights and the transformers must be at least of 6mm and the distance between them must not exceed 30m (Figure 2); otherwise the lights will not work properly.

Figure 2

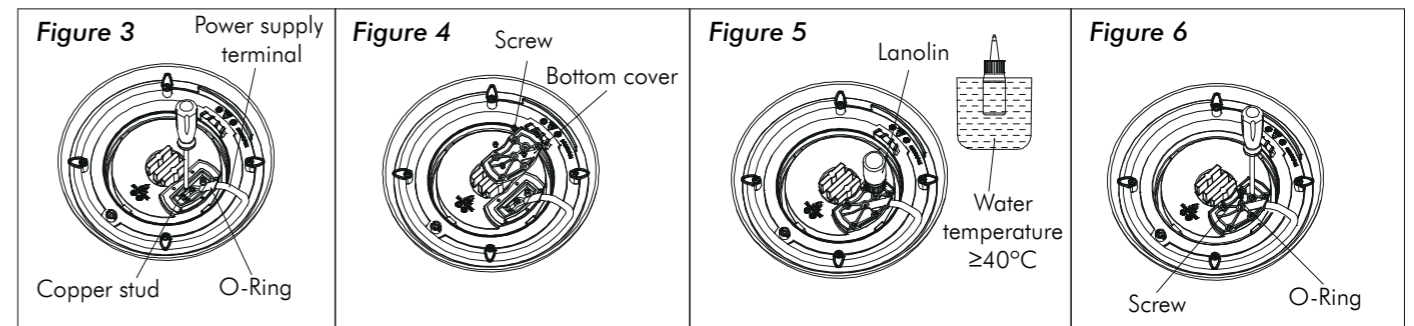


INSTALLATION

Step 1: Light assembly

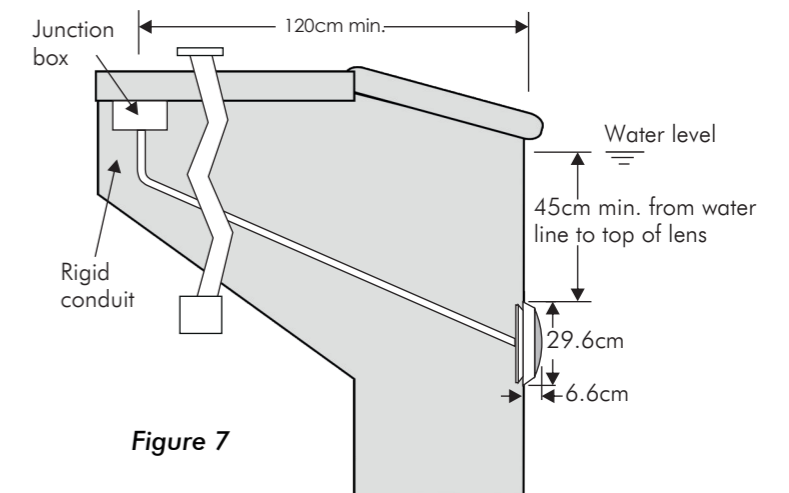
- Push the light cable through the silicone gel ring, connect the wires and tighten the screws (Figure 3).
- Place the silicone gel ring on the light, place the bottom cover and tighten 5 screws (Figure 4).

- Place the lanolin bottle in the boiling water to dissolve it into liquid and fill through 2 holes on the cover plate (Figure 5).
- When filled with Lanolin, tighten the 2 remaining screws and leave the light whilst installing the retro bracket to the pool wall. When the bracket is installed, fix the pool light to the bracket (Figure 6).



Step 2: Preparing to Install

- Before the installation, a circuit system diagram must be designed by a certified engineer.
- The circuit system must comply with local laws and regulations and must be carried out by qualified electricians.
- Make sure the voltage is 12V and the junction box is at least 120cm from the poolside (Figure 7).
- Upon installation, the top of the light must be at least at 45cm from water surface (Figure 7).



Step 3: Pool Installation

Concrete pools

- Embed the Wall Mount into the concrete wall, making sure that it is parallel to the poolside (Figure 8).
- Place the Mounting Plate on the concrete wall and tighten it with 4 screws. The conduit must be next to the Mounting Plate (Figure 9).
- Note that the light must only be installed on a flat or concave surface.
- Wrap extra cables behind the light to make sure they could be taken out for future maintenance (Figure 10).
- Hang the light onto the Mounting Plate and tighten the screws (Figure 11).
- The wire connections inside the terminal box must be sealed by leak-proof tapes to prevent water leaking into the junction box through the cables.

