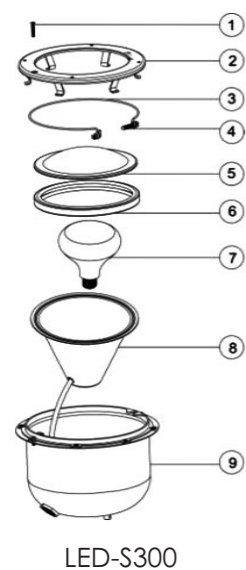


Key No.	Part No.	Description	Qty
1	03011058	φ3/16×9/8" Pilot Screw	1
2	03017010	Face Ring Assembly for S00 Lights	1
3	03017005	Wire with Nut for S100 Lights	1
4	03011133	M6*40 Bolt for Wire	1
5	87012003	Lens for S100 Lights	1
6	02021016	Waterproof washer for S100 Lights	1
7	04011021	LED Bulb 12V/1W LED (White Colour)	1
7	04011017	LED Bulb 12V/1W LED (Automatic Colour-changing)	1
7	04011053	LED Bulb 12V/5W LED (White Colour)	1
7	04011050	LED Bulb 12V/5W LED (Automatic Colour-changing)	1
8	89040702	Light Encasing with 2.5m cable	1
9*	88043602	Stainless Steel Housing for S100S	1
10*	88043502	Plastic Housing for S100	1

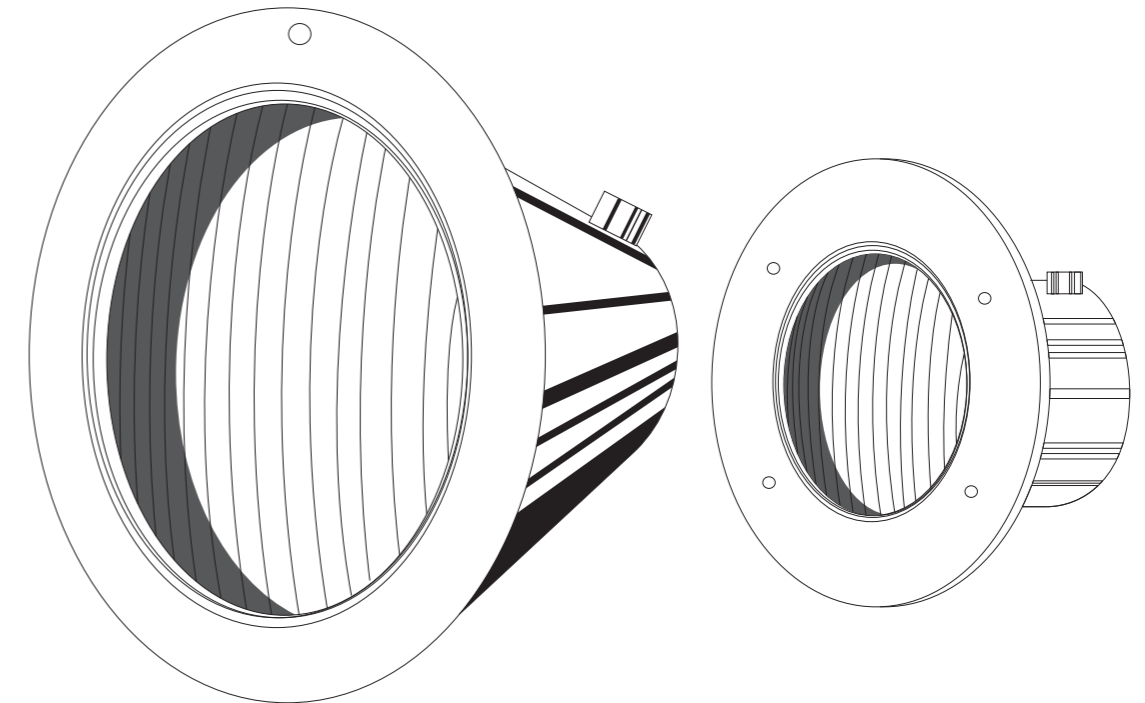
Notes:9 & 10* No niches for LED-S100L (88042302)



Key No.	Part No.	Description	Qty
1	03011058	φ3/16"X 9/8" Pilot Screw	1
2	03017021	Face Ring Assembly For UL-S300 Lights	1
3	03017018	Wire With Nut For UL-S300 Lights	1
4	03011134	M6*50 Bolt for Wire	1
5	87012004	Lens For UL-S300 Lights	1
6	02021019	Waterproof washer For UL-S300 Lights	1
7	04011011	Floodlamp 12V/300W	1
7	04011035	E27 252 LEDs bulb for S300/C300 (White)	1
7	04011046	E27 252 LEDs bulb for S300/C300 (Auto Colour Change)	1
8	89040701	Light Encasing with 2.5m cable For UL-S300	1
9	88043605	Stainless Steel Lights Niche For UL-S300	1

Notes:UL-S300 is underwater light with stainless steel niche.
UL-S300L is underwater light only without any niche.

LED-S100 and LED-S300 Stainless Steel Underwater Light Operating Instruction



**PLEASE READ THE FOLLOWING CAREFULLY AND
KEEP THIS USER MANUAL SAVE FOR FUTURE REFERENCE**

DANGER !

RISK OF ELECTRICAL SHOCK OR ELECTROCUTION

This underwater light fixture must be installed by a licensed or certified electrician or a qualified serviceman in accordance to the requirements of your government standard or local authorities. Improper installation will create electric hazards which could result in serious injury, death as well as damage to the property. Before servicing the light, disconnect the power supply from the circuit breaker. Failure to do so could result in serious injury, death and or damage to the property.

WARNING

Before installing this underwater light, read and follow all warning notices and instructions accompanying this light. Failure to follow safety warnings and instructions can result in severe injury, death, or property damage.

IMPORTANT NOTICE

Attention Installer.
This manual contains important information about the installation, operation and safe use of this product. This information should be given to the owner/operator of this equipment.

I) Installing light fixture during new pool construction.

A) The electrician must complete preparatory steps before light fixture is installed; see Figure 1.

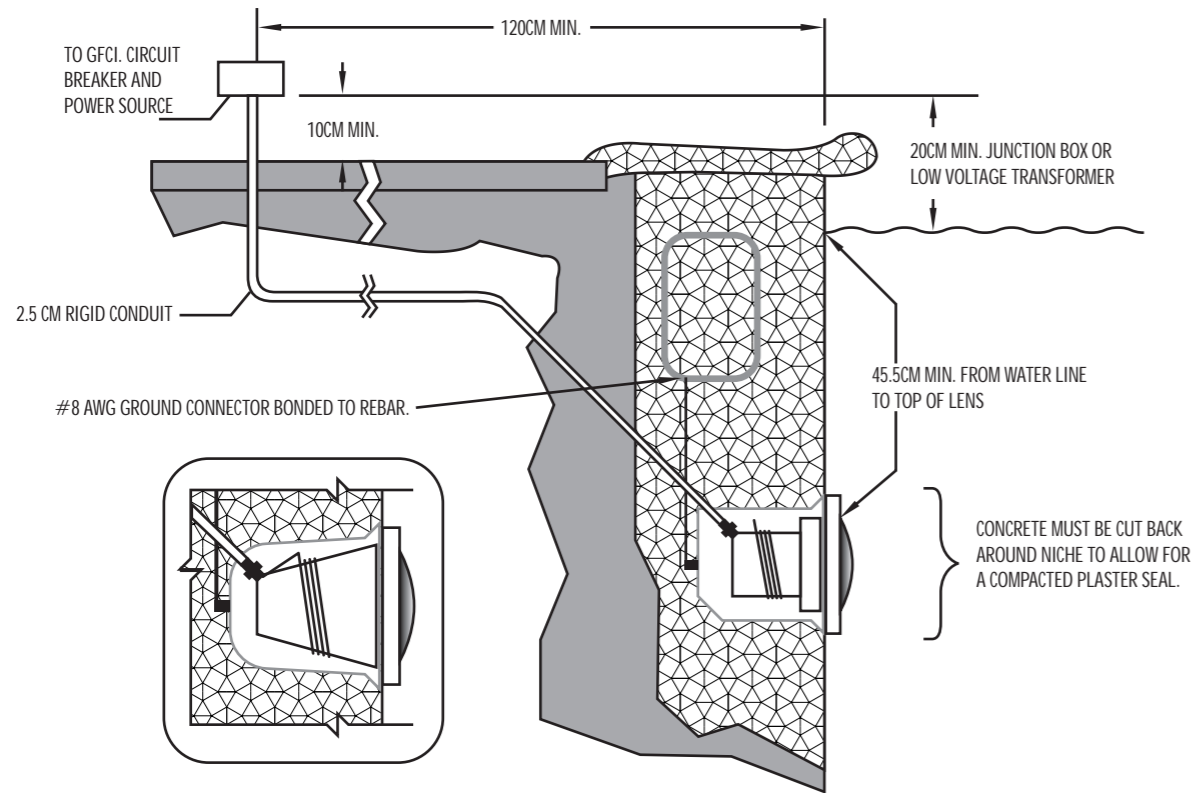


Figure 1.

1) Ensure that the pool meets the requirements of the current National Electrical Code and all local codes and ordinances. A licensed or certified electrician must install the electrical system to meet or exceed those requirements before the underwater light is installed. Some of the requirements of the National Electrical Code which the Pool's electrical system must meet are as follows.

- a) The lighting circuit must have a Ground Fault Circuit Interrupter (GFCI), and must have an appropriately rated circuit breaker.
- b) The Junction Box (or, for 12 volt models, the low voltage transformer) must be located at least 20CM above water level, at least 10CM above ground level, and at least 120CM from the edge of the pool; see Figure 1.
- c) The light fixture and all metal items within 152CM of the pool must be properly electrically bonded.
- d) The wet niche must be properly installed so that the top edge of the underwater light's lens is at least 45.5 below the surface of the water in the pool; see Figure 1.
- e) The wet niche must be properly electrically bonded and grounded via the No.8 AWG ground connector located at the rear of the niche; see Figure 1.

NOTE: The pool or spa electrical system can be verified with a pool and Spa Electrical Qualification Test kit. The electrical system inspection using this kit must be performed by trained and certified personnel.

2) To be certain that pool's electrical system meets all applicable requirements, the electrician should also consult the local building department.

B) Steps to perform after the electrical system requirements are met.

- 1) Feed cord through conduit to Junction Box, leaving at least 120CM of cord at the light fixture to coil around the light; see Figure 1. This 120CM of cord around the light allows the light to be serviced after the pool is filled with water.
- 2) Cut the cord at the Junction BOX, leaving at least 15CM of cord to make connections.
- 3) Strip 15CM of the outer cord jacket to expose the three insulated wires. Be careful not to damage the insulation on the three (3) inner wires.
- 4) Connect all three (3) wires to the corresponding circuit wires in the Junction Box, and secure the Junction Box cover in place.

WARNING

Never operate this Underwater Light for more than 10 seconds unless it is totally submerged in water. Without total submersion, the light assembly will get extremely hot, which may result in serious injury to pool users, installers, or bystanders, or in damage to property.

5) Replace the light assembly into niche and tighten special pilot screw.

WARNING

Use only the special stainless steel pilot screw provided with Underwater Light. Failure to use the screw provided could create an electrical hazard which could result in death or serious injury to pool users, installers or others due to electrical shock.

6) Fill the pool until the underwater light is completely submerged in water before operating the light for more than 10 seconds. Turn on main switch or circuit breaker, as well as the switch which operates the underwater light itself, to check for proper operation.

II) Replacing a lamp only:

DANGER

Always disconnect power to the pool light at the circuit breaker before servicing the light. Failure to do so could result in death or serious injury to installer, servicemen, pool users, or others due to electrical shock.

A) Turn off main electrical switch or circuit breaker, as well as the switch which operates the underwater light itself.

B) You will need the following items:

- 1) A new lens gasket.
- 2) A lamp, refer to Table 1 for the correct type and wattage.

WARNING

Replace lamp with a similar type and wattage. Failure to replace lamp with the same type of lamp will damage the light assembly and may cause an electrical hazard resulting in death or serious injury to pool users, installers, or others due to electrical shock, and may also cause damage to property.

C) To remove light assembly, remove the special pilot screw at top of face ring, remove light assembly from niche, and place assembly on deck.

D) Disassemble light fixture and remove bulb. Remove and discard old gasket.

E) Secure the face ring to the light fixture. Sealing screws must be tightened in the following manner to ensure a proper seal.

- 1) For lights with stainless face ring:
 - a) Partly tighten the screw at the 3 o'clock position, and then partly tighten the screw at the 9 o'clock position. Partly tighten the screw at another 'opposite' position, and then partly tighten the screw directly across from it.
 - b) Continue partly tightening all screws in the above sequence until all screws are evenly and securely tightened. Recommended 50CM pounds torque.
- 2) For lights with stainless steel face ring:
 - a) With the bent ends of the circular unitension clamp pointing down spread the clamp and place it in the "U" recesses of the locking levers. Ensure that the bent ends of the clamp are located between the pair of locking levers as shown in Figure 2, location A Check to see that the clamp is properly engaged with all of the levers; see Figure 2.
 - b) Hold the ends of the unitension clamp together. Insert the bolt through one end of the bend end and then insert the other end through the other bent end and thread the bolt into the nut. Using a #3 Phillips head screwdriver tighten the screw and nut until the distance between the ends of the clamp equals 0.6cm or less; see Figure 3.

F) Replace the light assembly into the niche and tighten the special pilot screw.

Use only the special pilot screw provided with this underwater light. This screw mounts and electrically grounds the housing securely to the mounting ring and wet niche. Failure to use the screw provided could create an electrical hazard which could result in death or serious injury to pool users, installers or others due to electrical shock.

G) Fill pool until the underwater light is completely submerged in water before operating the light for more than 10 seconds. Turn on main switch or circuit breaker, as well as the switch which specifically operates the underwater light, to check for proper operation.