

WARNING

Never operate this pool lamp for more than 10 seconds unless it is totally submerged in water. Without total submersion, the lamp assembly will get extremely hot, which may result in serious injury to pool users, installers, or bystanders, or in damage to property.

Be sure power is off before installing or removing lamp. Allow lamp to cool before relamping. This light fixture uses a Halogen Quartz lamp. Do Not touch lamp with bare hand, this may severely reduce its life.

Use the plastic furnished with the replacement lamp to eliminate finger prints pin from the bulb.

For use only when immersed in water, IP68

For operation only with approved safety isolating transformer: Input:230V Output: 12V~ 75VA

The safety isolating transformer must meet the EN61558-2-6 standard

SELV, the safety source shall be installed outside of Zone 0, 1 and 2

If you want to replacement the lamp, loosen the screw of back cover, open the back cover and replace the lamp, and carefully fixed gasket seal, re-tightening the screw. The replacement takes place from the side of the luminaires in contact with the water but after the water of the pool has been partially or completely drained.

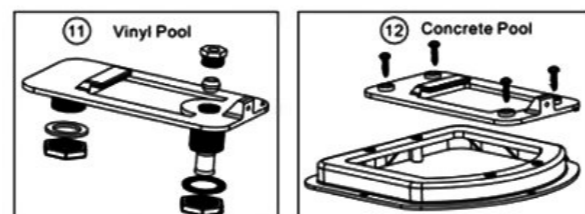
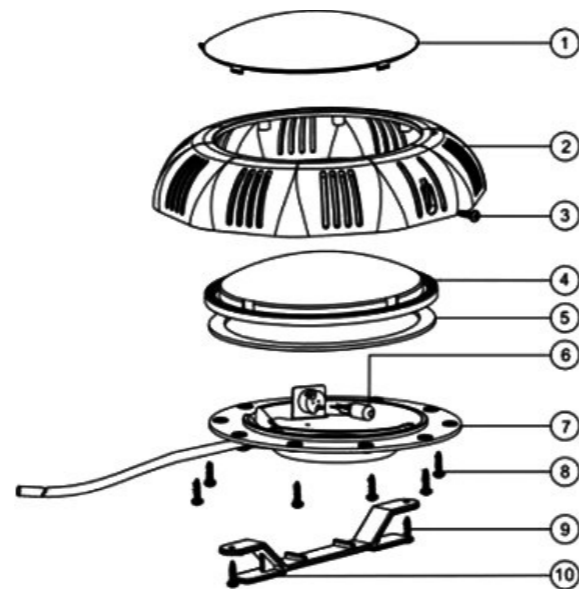
CAUTION: Never try to repair or replace the lamp by yourself. If this underwater light fixture is out of working, it shall be repaired or replaced by the manufacturer or his service agent or similarly qualified persons in order to avoid a hazard.

CAUTION: The transparent plastic Protective Shield can not be replaced, if the Protective Shield is cracked, this underwater light fixture shall be scrapped.

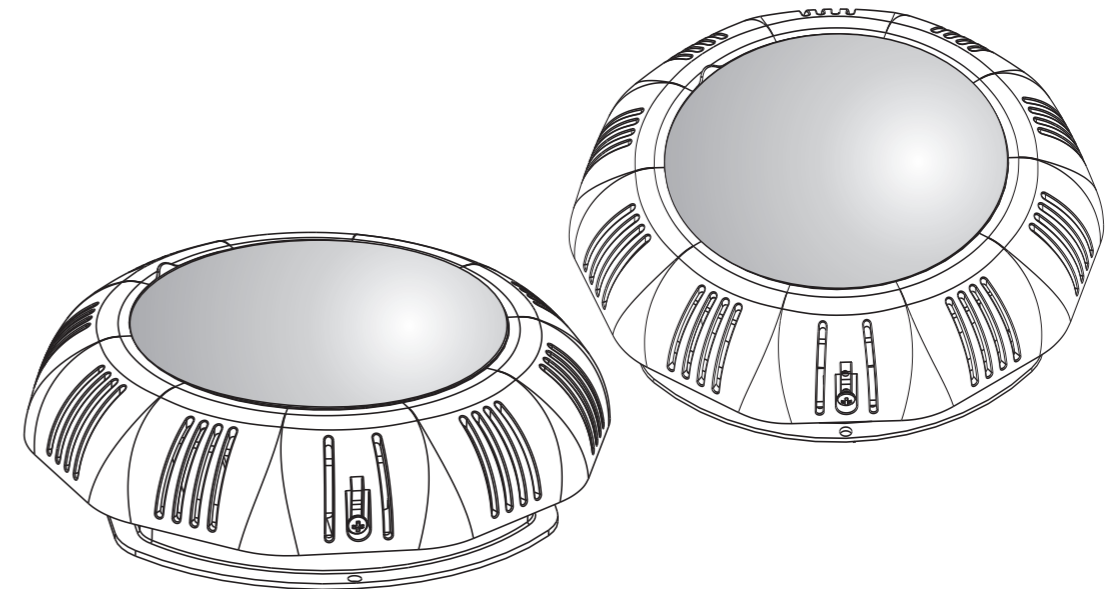
REPLACEMENT PARTS

Key No.	Part No.	Description	Qty
1*	01221003	Colour lens (Red+Green+Blue) for P100, DP100	1
2	01051059	Face Plate for TP100	1
3	03011307	M4*12 Screw	1
4	01040211	Lights Lens	1
5	02021055	O-Ring for TP100	1
6	04011002	Halogen high Bulb (Yellow Light)	1
7	89040402	UL-TP100 Lights Body Set	1
8	03011331	M4*12 Screw	8
9	03011332	M4*16 Screw	2
10	01012005	TP100 Lights Bracket	1
11	89040401	TP100 Lights Vinyl Pool Fitting	1
12	89040501	TP100 Lights Concrete Pool Fitting	1

Note:* UL-TP100 Light Colour Lens 1 set (Red+Green+Blue)



**UL-TP100 Series Underwater Light
Operating Procedures**



**Please read the following carefully and
keep this user manual save for future reference**

DANGER !

RISK OF ELECTRICAL SHOCK OR ELECTROCUTION

This underwater light fixture must be installed by a licensed or certified electrician or a qualified serviceman in accordance to the requirements of your government standard or local authorities. Improper installation will create electric hazards which could result in serious injury, death as well as damage to the property. Before servicing the light, disconnect the power supply from the circuit breaker. Failure to do so could result in serious injury, death and or damage to the property.

INSTALLATION

A) Preparatory steps which must be completed by the electrician before light is installed, see Figure 1.

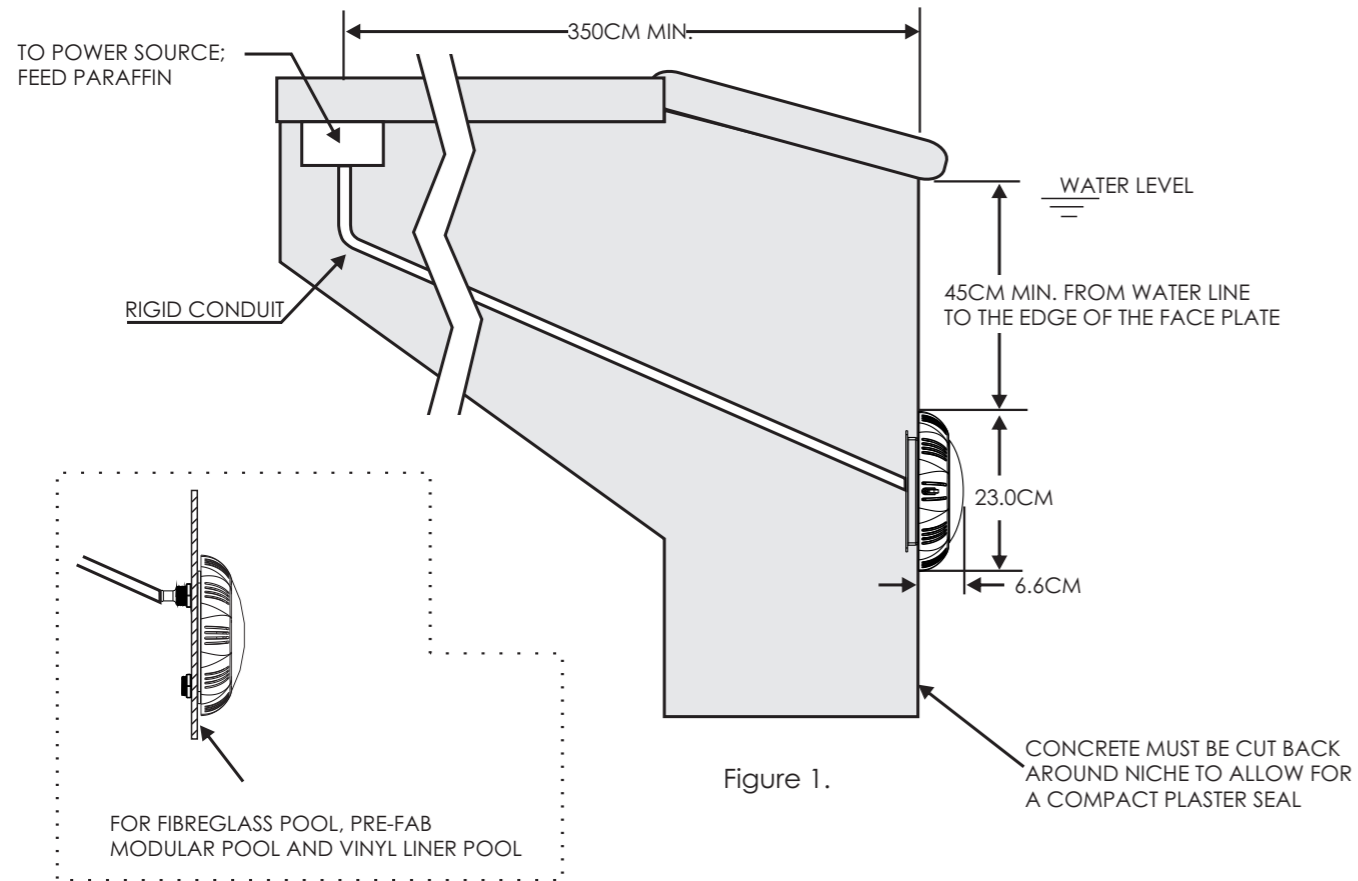


Figure 1.

- 1) Ensure that the electrical system and its wiring for the pool conform to the requirements of your government or your local authorities. The installation of the Underwater Light should only be performed by a licensed electrician.
 - a) The junction box, or the low voltage transformer for 12 volt Underwater Light model is to be located at least 350cm from the edge of the pool, see Figure 1.
 - b) The junction boxes shall not be installed in zones 0, 1 and 2, where permitted for SELV circuits.
 - c) Terminal blocks must meet the IEC60988-2-1 standard having the rated connecting capacity of 1.5mm² use of screw-type terminal at least 25A rated current, mounted on junction boxes inside. See Figure 0

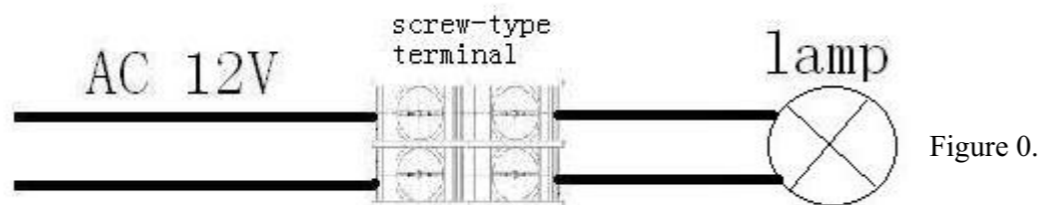


Figure 0.

- d) The light fixture and all metal parts that are within 350cm of the pool must be properly protected with non-ductile materials and that the connections must be waterproof.
- e) The mounting bracket must be properly installed so that the top edge of the Underwater Light lens is at least 45cm below the surface of the water in the pool, see Figure 1.
- 2) Consult the local government Building Department to be certain that the pool's electrical system meets all applicable requirements.

B) Perform the following steps after the electrical system requirements are met.

- 1) Locate position on a vertical wall where light is to be installed. The top of the light lens must be 45cm below normal water level, and maximum depth for luminaire is 2.5m, see Figure 1.
- 2) Connect conduit to midst of Mounting Spacer (left of Bracket), see Figure 2.
- 3) If pool surface is to be plastered, you must allow proper concrete cutback for plaster thickness. Finish concrete surface must be flush with Mounting Spacer. CAUTION: Finish area surrounding Mounting Spacer MUST be flat and flush with the face of Mounting Spacer, this ensures a snug fit between light and wall, see Figure 3.
- 4) After pool surface is finished, trim the Conduit.
- 5) Wrap a length of the cord up to a maximum of 3.5mt long on the back of the light assembly.
- 6) Connect cord electrical wires at Junction box, through Conduit, be careful not to pull the 75mm-80mm of slack cord at the luminaire through the conduit when connecting the wires.
- 7) Connect all wires to the corresponding circuit wires in the junction box and feed paraffin.
- 8) Secure the junction box cover in place.
- 9) To check for proper operation, turn on main switch or circuit breaker.
- 10) Rotating Locking System ensures light is secured to bracket, see Figure 4.
- 11) Before operating the lamp for more than 10 seconds fill pool until the pool luminaire is completely submerged in the water.
- 12) The flexible cable of this luminaire cannot be replaced, if the cord is damaged, the luminaire shall be destroyed.

C. Winterizing: The luminaire should be left in place for winterization.

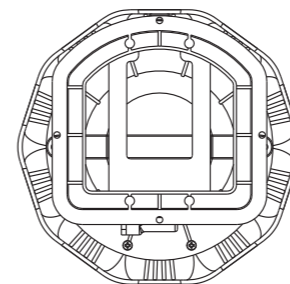


Figure 2.

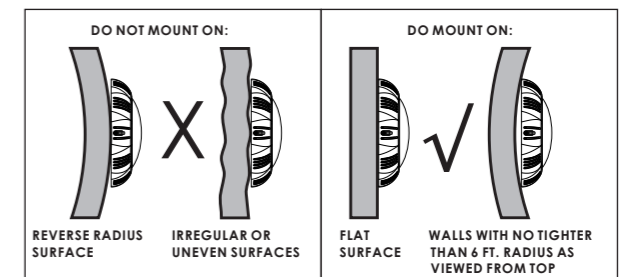


Figure 3.

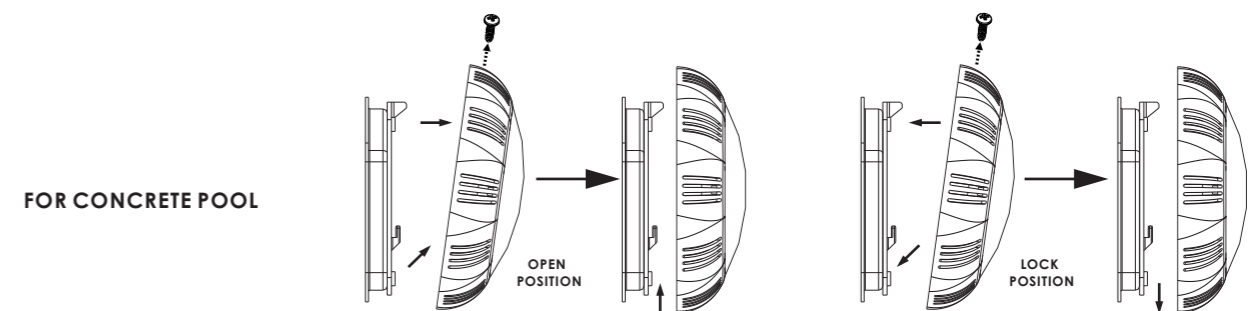


Figure 4.

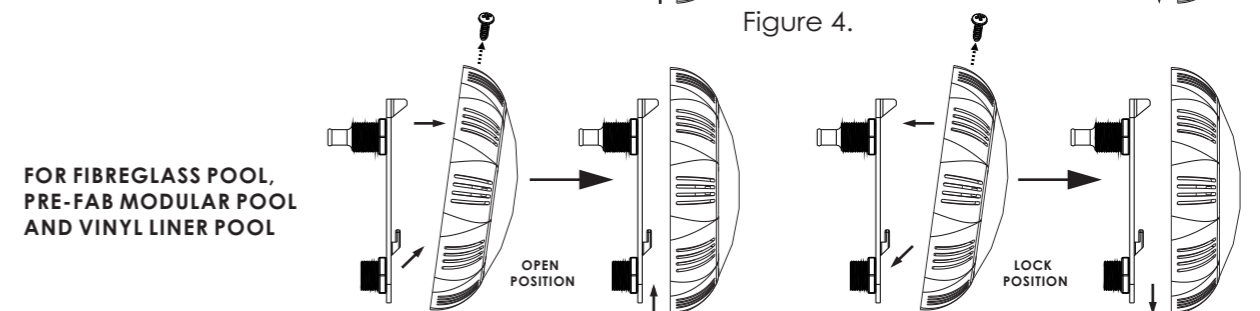


Figure 5.