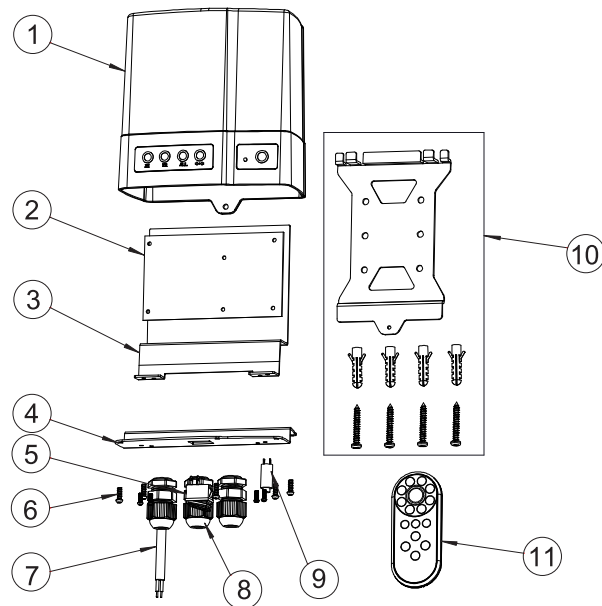


REPLACEMENT PARTS

Item No.	Part No.	Description	Qty
1	E111101	ColorTouch control box suite	1
2	E111107	ColorTouch electronic board 220V suite	1
2	E111108	ColorTouch electronic board 110V suite	
3	510106781	Internal Plate	1
4	510116781	Bottom Plate	1
5	106176996	Power switch	1
6	E111102	Screw suite	1
7	04013004	Two-Core cable for output	2
7	105101306	Three-Core cable for input	1
8	106231416	Cable Gland	1
9	E111106	Switch for learn key suite	1
10	E111103	Mounting bracket suite	1
11	106697000	Remote (With Battery)	1



ColorTouch Control Box

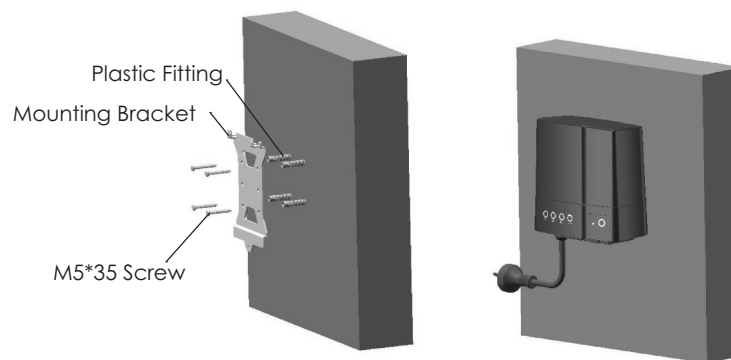
INSTRUCTION MANUAL

CONTENTS

WARNING -----	3
PRODUCE DESCRIPTION -----	3-4
WIRING DIAGRAM -----	5
CONTROLS INDEX -----	5-6
INSTALLATION -----	7
MAINTENANCE AND TROUBLE SHOOTING -----	7
REPLACEMENT PARTS -----	8

INSTALLATION

- Remove the mounting bracket from the control box, position the mounting bracket to the desired fitting place and mark on the wall with the location of the drilled holes.
- Then drill 4 holes of $\varnothing 8\text{mm}$ on the marked position and insert a plastic fitting, Secure the mounting bracket by fastening 4 screws of M5x35 to the plastic fittings. Figure .
- The ColorTouch control box is hanged on the hook of mounting bracket, and secure the bottom screw.



MAINTENANCE AND TROUBLE SHOOTING

- Do not leave the ColorTouch control box directly under sunlight.
- Before switching on the control box, check the circuit boxes are running properly.
- Warranty will be voided if the Emaux ColorTouch control box was dismantled by unauthorized personnel.

Trouble	Possible Solution
Touch remote and Display Light out.	Replace battery CR2032. May enter water to damage remote.
The display Light up on the remote and pool light up, but not control lights.	The remote is relearned by the learn key of control box.
The control box works normally, but pool light out.	Check transformer. Replace pool light panel.
The ColorTouch box is not work.	Check main power button. Check connected locations of the cable. Check fuses at switchboard. Contact qualified electrician to test.

2) ColorTouch Remote

Each control box is associated with a ColorTouch remote control. You would need to have control box nearby the ColorTouch remote.

- Learning process of remote: switch off main power button of the box before pressing the learn key of box. Then switch on main power button and pressing the learn key of the box, the Learn key display is flash white. while keep pressing learn key of box, pressing any key on the ColorTouch remote. When success link, the display on the remote is red momentarily and Learn key display of box is out .
- If there is one remote for multiple control box, repeat the learning process to each control box.

The Remote has two control modes:

A) E-Lumen X mode-It is the default control mode after learning.

- The display LED under at the center of color wheel will be flashed in red color for any touch command on the remote.
- The ColorTouch remote choose direct color pick up just by touch the color area.
- The rainbow color key is a toggle key for multiple modes of auto color change .
- There are three level of brightness for light brightness adjustment by touch the desired brightness button.
- Z1, Z2 and ALL are ON/OFF switch to ON/OFF Zone 1, Zone 2 and both Zones. The Reset key will turn Z1 and Z2 lights back to Cool White. It will take three seconds to the light up after switch off.
- Touch any key three seconds to display Light ON/OFF.



B) E-Lumen Mode

- Long touch reset button will change the ColorTouch remote to E-Lumen mode, the display LED at the center of color wheel will turn to green color flash.
- The color wheel buttons and brightness function is disable.
- Touch Z1, Z2 and all button will change the Zone 1, Zone 2 or Both Zones color one by one. Reset button will turn all the light color to first E-Lumen color.

Attention:

- (1) Battery replacement-reverse the remote and open the battery compartment by pushing the right hand side lock inward. The remote use CR2032 battery that life time is around six months.
- (2) E-Lumen X mode or E-Lumen mode, must switch off main power button of the box , wait three minutes and switch on it.



WARNING

Please read the manual carefully before commencing installation. This manual contains important information about the correct operation of ColorTouch control box.

— Before

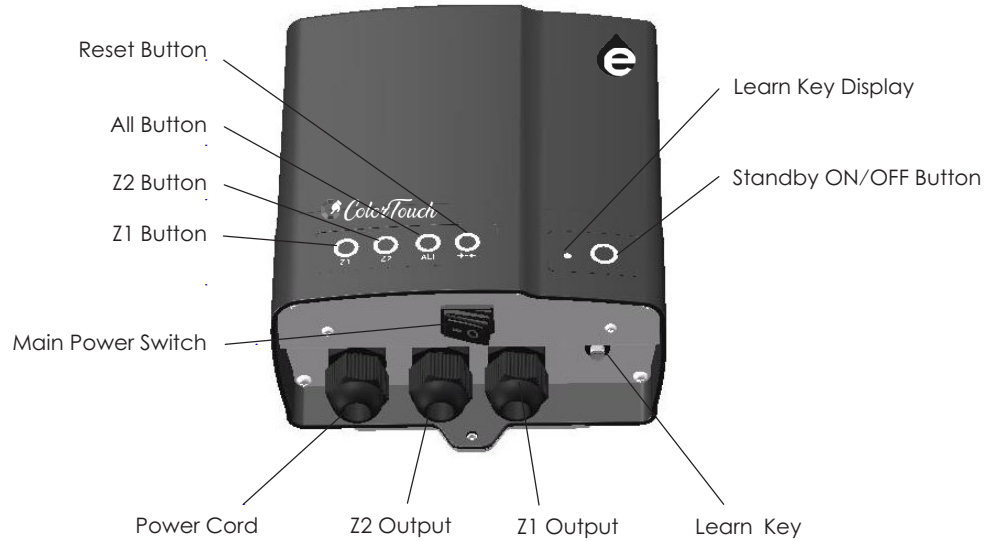
- This ColorTouch control box must be installed by a licensed or certified electrician or a qualified serviceman in accordance to the requirements of your government standard or local authorities. Improper installation will create electric hazards which could result in serious injury, death as well as damage to the property.
- Cut the power before service and maintainance!
- For safe and proper installation, ensure that those parts supplied with the produce are used.
- Never handle with wet hands and feet.
- If the external flexible cable or cord of this ColorTouch control box is damaged, it shall be exclusively replaced by the manufacturer or his service agent or a similar qualified person in order to avoid a hazard.
- Preferably installed in the place sheltered from rain or sunlight, ensure the longevity of these ColorTouch control box.

PRODUCT DESCRIPTION

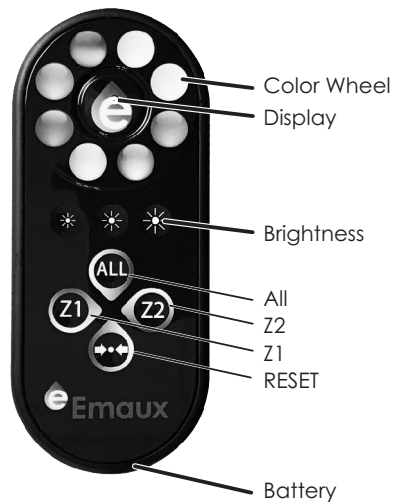
— SPECIFICATIONS

Work Temperature	0-40°C
Input Voltage	AC220-240V(110V), 50/60Hz
Output Voltage	2*AC220-240V(110V), 50/60Hz
Maximum Power Rating	2*300VA
Radio Frequency	433MHz
Radio Distance At Sight(Empty area)	50m
Remote Battery	CR2032

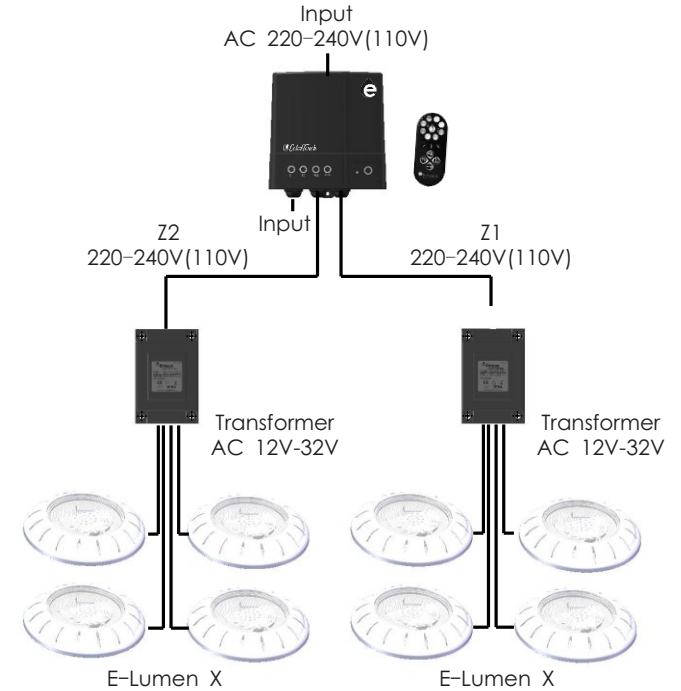
— CONTROL BOX DISPLAY AND FUNCTION KEYS



— REMOTE FUCTION



WIRING DIAGRAM



Attention:

- 1) Load of the control box should not exceed 2*300W.
- 2) The control box out voltage is 220~240Vac(110Vac) same as the power socket, it must be connected to 12V-32Vac step down over transformers.
- 3) Please refer to the lamp power rating to choose adequate power rating transformer.

CONTROLS INDEX

- 1) control box panel operation
 - switch on the main power switch to turn on the power, the standby button led will light up.
 - press the standby button, ands the system is entered to operation mode.
 - Z1 Button - long press (3 second) to switch ON / OFF Z1 power. And short press (1 second) to change color for all the pool lights, connected to the Z1 outlet, the Z1 Button LED is flash at the monment.
 - Z2 Button - long press (3 second) to switch ON / OFF Z2 power. And short press (1 second) to change color for all the pool lights, connected to the Z2 outlet, the Z2 Button LED is flash at the monment.
 - ALL Button - Long or short press to change color for all the pool lights, connected to the Z1 and Z2 outlet, the ALL Button LED is flash at the monment.
 - RESET Button - Press the button to reset all the pool lights connected to Z1 & Z1 to cool white color.

