

EMAUX WATER TECHNOLOGY CO., LTD

ADDRESS G/F 41 TIN HAU TEMPLE ROAD,
NORTH POINT, HONG KONG
PHONE +852 2832 9880
www.emauxgroup.com

STRIVE FOR CLEAR WATER

E-Lumen X Series Underwater Light

True Color RGB with Warm White and Cool White LED
Synchronize color settings of 2 zones by ColorTouch Control System



Waterproof Standard

IP68

Cable

2.5m

Installation

Concrete Wall Mount

Face Ring Material

Plastic ABS/Strainless Steel

Available from:

ALL SPECIFICATIONS ARE SUBJECT TO CHANGE WITHOUT NOTICE.
© 2018 EMAUX WATER TECHNOLOGY CO., LTD. ALL RIGHTS RESERVED.

www.emauxgroup.com

Pool & Spa Equipment

 **Emaux**
water technology

SIGNATURE COLLECTION

Product Features

Quick, easy and direct replacement with a Retrofit Connector

1. The LED light adopts white (including cool white and warm white), red, green, blue (R, G, B) five basic colors of LED chips, with high color rendering and constant color over time and temperature.
2. A 2-core wire connector is designed for easy light replacement to satisfy the retrofit market.
3. Equipped with state-of-the-art LED technology, E-Lumen X series gives increased energy efficiency and lumen rate.
4. Longevity lasts for more than 9,000 hours.
5. The innovative design of the diffusion lens and bulb matrix provide exceptional reflection, brightness, and angle of illumination.
6. The drilled holes on the face ring also contribute to the light intensity and angle of illumination by allowing light penetration throughout.

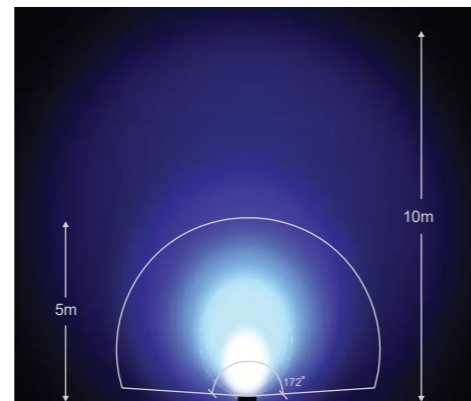


Product Dimensions and Technical Information

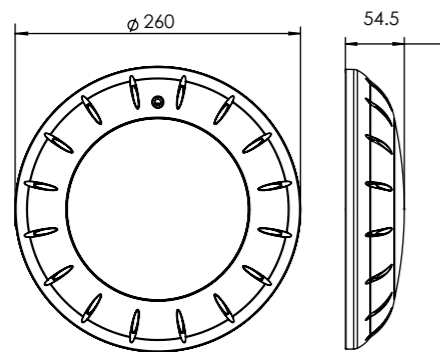
Face Ring Color Options



Code	Description	Face Ring
9042601	E-Lumen X Light 12~32V AC 50/60Hz	White
9042602	E-Lumen X Light 12~32V AC 50/60Hz	Grey
9042603	E-Lumen X Light 12~32V AC 50/60Hz	Blue
9042604	E-Lumen X Light 12~32V AC 50/60Hz	Stainless Steel



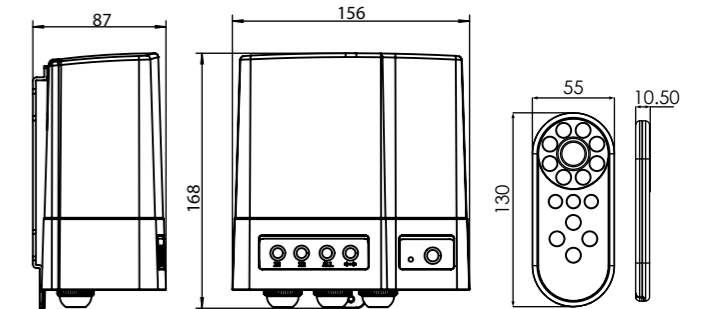
Angle and distance of illumination



Pool Light Protection Rating : IP68 to 2m depth
Power Consumption :25W

Color	Operation Voltage	illuminance (Lux)	Color Temperature
Cool White	12~32V AC 50/60Hz	350	6500K
Warm White	12~32V AC 50/60Hz	325	3000K

ColorTouch Light Control Box with Remote Controller Provides direct light color change and two zones synchronized color control



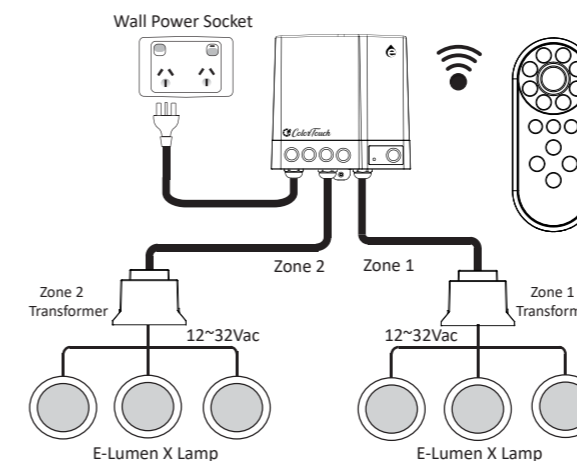
Code	Description
9110901	ColorTouch Control Box 220V AC 2*300W 50/60Hz
9110902	ColorTouch Control Box 110V AC 2*300W 50/60Hz

Features

1. By using the simple two-core wires and 12~32Vac operation system, ColorTouch system becomes an ideal choice for most of the pool retrofit and refurbishment projects.
2. One-touch 7 individual colors, auto-color changing, and 3-level brightness dimmer selections by using the remote-controller which features compact, user-friendly design and water resistant.
3. 50m wireless remote-control distance in open area.



ColorTouch System controls color changes of two pools at the same time



Two zones synchronized color control

1. ColorTouch control system can control different mode of lighting in two zones at the same time.
2. Each zone can support pool light fixtures with maximum voltage of 300VA.
3. Simply one-touch reset button is available to bring two zones into line instantly.