

Aurora Light

THE WIDEST ANGLE OF ILLUMINATION

For residential and commercial pool & spa



 **Emaux**
water technology

IP68 CE RoHS
COMPLIANT
2011/65/EU

Pool & Spa Equipment

SIGNATURE COLLECTION

Product Information

Waterproof Standard

IP68

Cable

2.5m

Material

Durable ABS structure

PC transparent lid

Installation

Wall mounted (flat type)



INNOVATIVE DESIGN AND ADVANCED LIGHT ENGINEERING

Unique 360 Degree LED Ring and High Power Bulbs

Highly efficient illumination is produced by the combination of high power bulbs and a 360 degree LED ring.



360 LED ring



High Power Bulbs



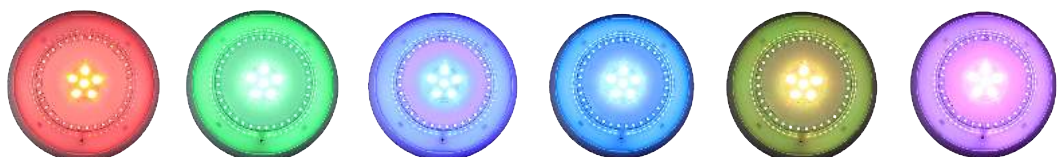
Light Guide Plate

Light Guide Plate (LGP) Technology

With the light guide plate, Aurora light features an ultra-thin, low power consumption, even brightness, visual comfort and attractive appearance.

Various Color Options & Pre-programmed Light effects

The RGB version offers color changing options with 14 modes with brilliant dynamic light that can be changed by remote control box (optional) .



Product Features

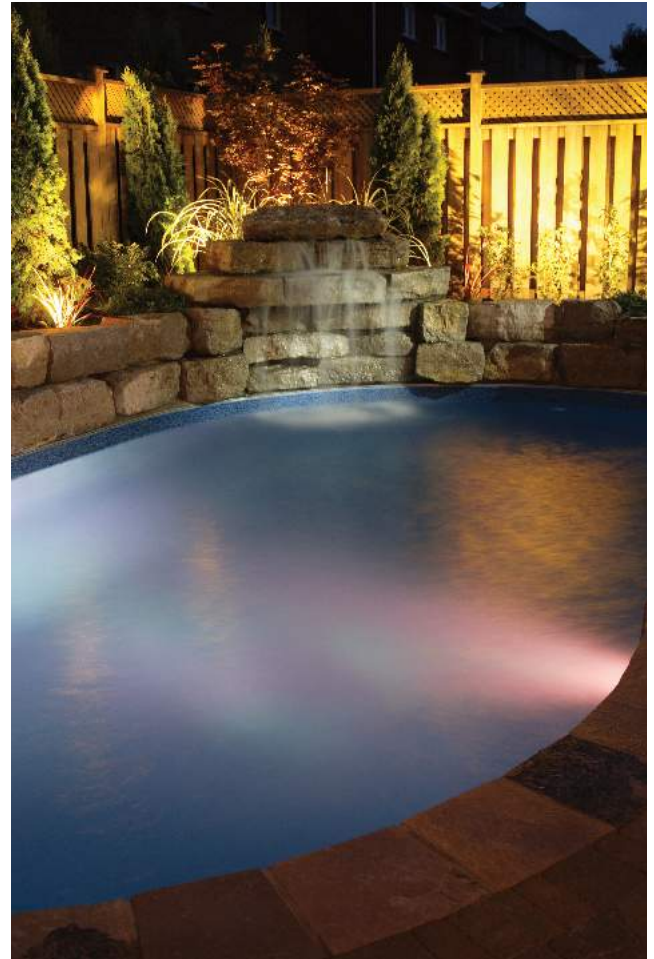
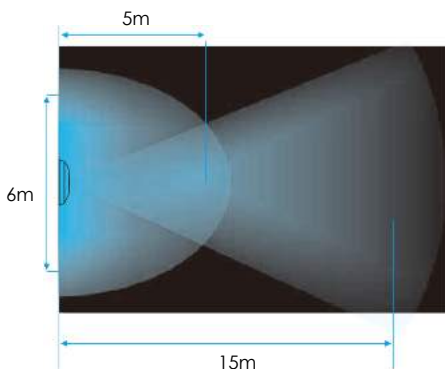
100% WATER PROOFING With our latest resin filled LED panel technology, the unit is totally waterproof.

HIGH COMPATIBILITY Aurora is designed for all concrete, tiled, vinyl liner, and fiberglass pools.

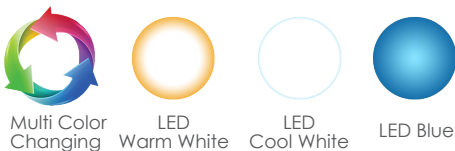
GREAT DURABILITY Made of durable ABS with high quality polycarbonate transparent lens. A special heat sink design ensures long LED life.

CONVENIENCE Easy installation and maintenance. Latest wiring method allows convenient, reliable wiring for replacement.

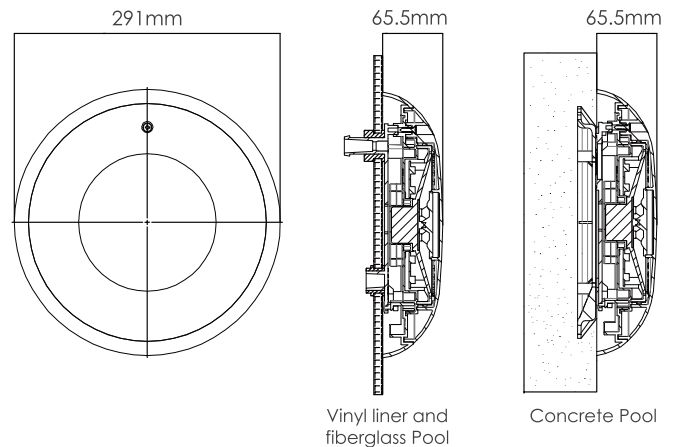
THE WIDEST ANGLE OF ILLUMINATION The combination of high power LED bulbs and unique 360 degree LED ring achieves the widest angle of illumination on the market.



Product Information



Code	Model	Watt/ Voltage	Color
88049246	ARR30CW	30W/12V	Cool White (10000k)
88049247	ARR30C	30W/12V	RGB
88049248	ARR30B	30W/12V	Blue
88049249	ARR30W	30W/12V	Warm White (4000k)



EMAUX WATER TECHNOLOGY CO., LTD

ADDRESS G/F 41 TIN HAU TEMPLE ROAD,

NORTH POINT, HONG KONG

PHONE +852 2832 9880

www.emauxgroup.com

 **STRIVE FOR CLEAR WATER**

Available from:

ALL SPECIFICATIONS ARE SUBJECT TO CHANGE WITHOUT NOTICE.
© 2018 EMAUX WATER TECHNOLOGY CO., LTD. ALL RIGHTS RESERVED.

www.emauxgroup.com