

Pump **AFS SERIES**

PROVIDES LARGE FLOW AND HIGH EFFICIENCY
For countercurrent swim jets, high velocity water circulation, and commercial spas



Product Features

1. Class insulation: 155(F)
2. IPX5 Waterproof standard
3. Low noise level
4. Built-in thermal protection
5. Stator applied by molding process with moisture resistance and heat security
6. Complete separation of water and the shaft, safe and reliable
7. High-quality wear-resistant mechanical seal

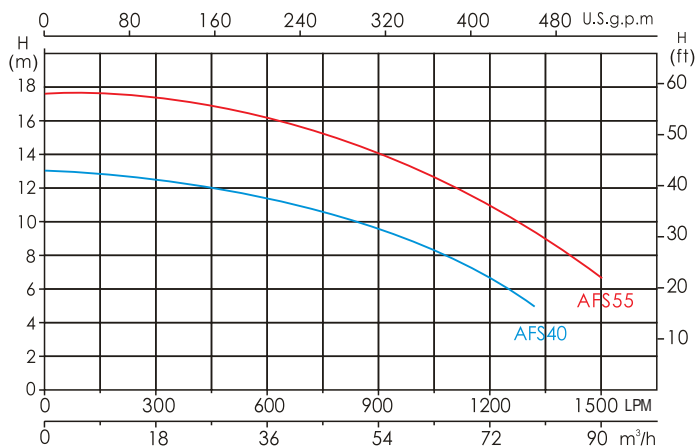
 **Emaux**
water technology

Pool & Spa Equipment

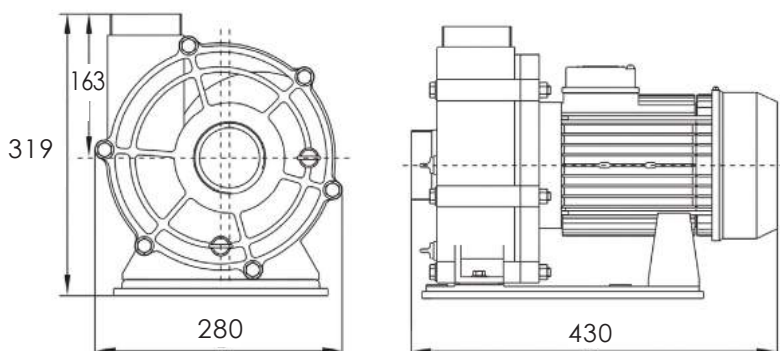


AFS Series Pump

Technical Information:



Product Information and Dimensions:



The AFS Series pumps provide a high flow rate and are designed for countercurrent swim jet systems, water circulation, and spa systems

Code 380V/50Hz	Model	Connection Size (IN)	Connection Size (OUT)	Horsepower	Weight (Kg)	Input (kW)	Current (AMP)	Noise (dB)	Head (m)				
									8	10	12	14	
										Flow Rate (m³/h)			
88028818	AFS40	2.5" / 75mm	2.5" / 75mm	4.0hp	25	3	5.2	72	65	50	27	-	
88028816	AFS55	2.5" / 75mm	2.5" / 75mm	5.5hp	26.2	4	7	73	85	76	67	54	

EMAUX WATER TECHNOLOGY CO., LTD

ADDRESS: Flat A-D, 20/F., Kai Bo 22, 22 Wing Kin Road,
Kwai Chung, Hong Kong

PHONE +852 2832 9880

www.emauxgroup.com

Pool & Spa Equipment

YOUR PREMIER SUPPLIER

Available from:

ALL SPECIFICATIONS ARE SUBJECT TO CHANGE WITHOUT NOTICE
© 2021 EMAUX WATER TECHNOLOGY CO., LTD. ALL RIGHTS RESERVED.